

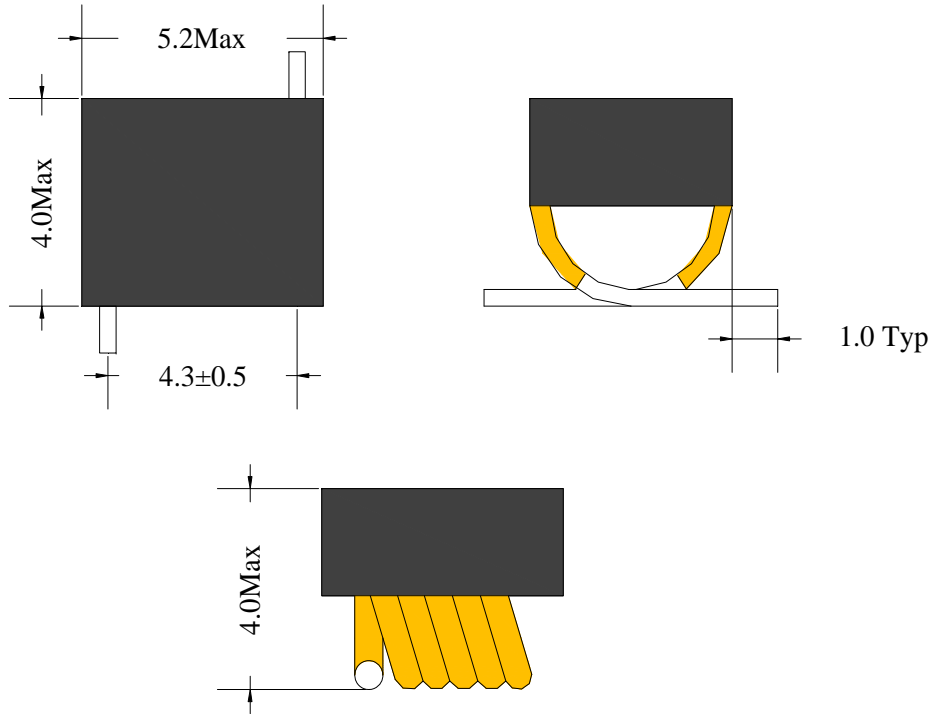


**SMD Air Coil Inductor  
PSAC0504 Series**

Web:<http://www.dgpinzhan.com>  
E-mail:[sale@dgpinzhan.com](mailto:sale@dgpinzhan.com)

Part Code	Date	Production	Type	Vers	Page
PSAC0504-Series	2018/11/5	Tom	DIP	A001	1

**1. Dimensions: [mm]**



**4. General Properties:**

It is recommended that the temperature of the component does not exceed +125°C under worst case conditions.

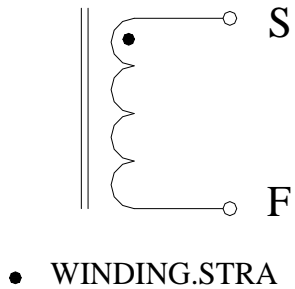
Storage Temperature:	-20 °C up to +60 °C
Operating Temperature:	-40 °C up to +125 °C
Temperature Rise < 55K.	

Test conditions of Electrical Properties: +20°C, 33% RH if not specified differently.

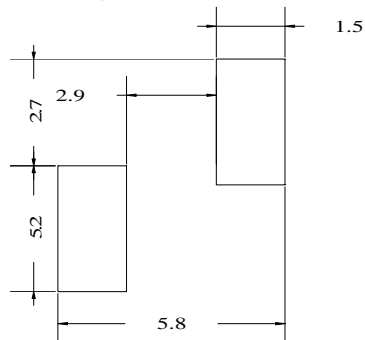
**5. Electrical Properties:**

Part Code	Inductance	Tolerance	DCR	SRF	Rated Current
	nH	5% 10%	MΩ (Max)	MHz (Min)	A (Max)
PSAC0504-22NK	22	K	4.8	3200 (REF)	3.0
PSAC0504-27NK	27	K	4.6	2700 (REF)	3.5
PSAC0504-33NK	33	K	5.9	2500 (REF)	3.0
PSAC0504-39NK	39	J	5.6	2100 (REF)	3.0
PSAC0504-47NK	47	J	6.9	2100 (REF)	3.0
PSAC0504-56NK	56	J	6.4	1500 (REF)	3.0
PSAC0504-68NK	68	J	8.1	1500 (REF)	2.5
PSAC0504-82NK	82	J	8.9	1300 (REF)	2.5
PSAC0504-R10K	100	J	10	1200 (REF)	1.7
PSAC0504-R122K	120	J	11	1100 (REF)	1.5

**2. Schematic:**



**3. PCB Layout Ref(mm)**



Test frequency: 150MHz